




KIT PART NUMBER 4551347
INSTRUCTIONS FOR INSTALLING A PRODUCT DEFLECTOR
ON A 455 MACHINE.

CHECK THE PARTS RECEIVED IN THIS KIT WITH THE PARTS LIST IN THESE INSTRUCTIONS. IF ANY PARTS ARE MISSING CONTACT THE CRANE MERCHANDISING SYSTEMS' PARTS DEPARTMENT AT 1-800-621-7278.

Read these instructions carefully before installing the kit.
Keep these instructions for part numbers and for future reference.

THIS KIT CONTAINS THE FOLLOWING:

PART NUMBER	DESCRIPTION	QTY
4551345	DEFLECTOR - CLEAR PLASTIC - LEFT	1
4551346	DEFLECTOR - CLEAR PLASTIC - RIGHT	1
4550008	INSTRUCTIONS - PRODUCT DEFLECTOR INSTALL	1

1. Unlock and open the monetary door to its full extension.
2. Unlatch and open the cold door.
3. Using the programming keypad, perform the following:
 - a. Press  twice.
 - b. Press  once.
 - c. Press  until the display reads "FOOD 3".
 - d. Press . The cold door will move to the open position and the display will read "FOOD 2".
4. Turn off the main switch.
5. Unplug the harness and remove the lowest tray from the machine.
6. Using a 1/8 square driver, remove the (3) screws from each side of the cold door gasket. Remove the metal plate only: DO NOT REMOVE THE GASKET.

7. Place the new product deflector between the metal plate and the gasket with the angled end to the rear of the cabinet as shown in Figures 1 and 2 below:

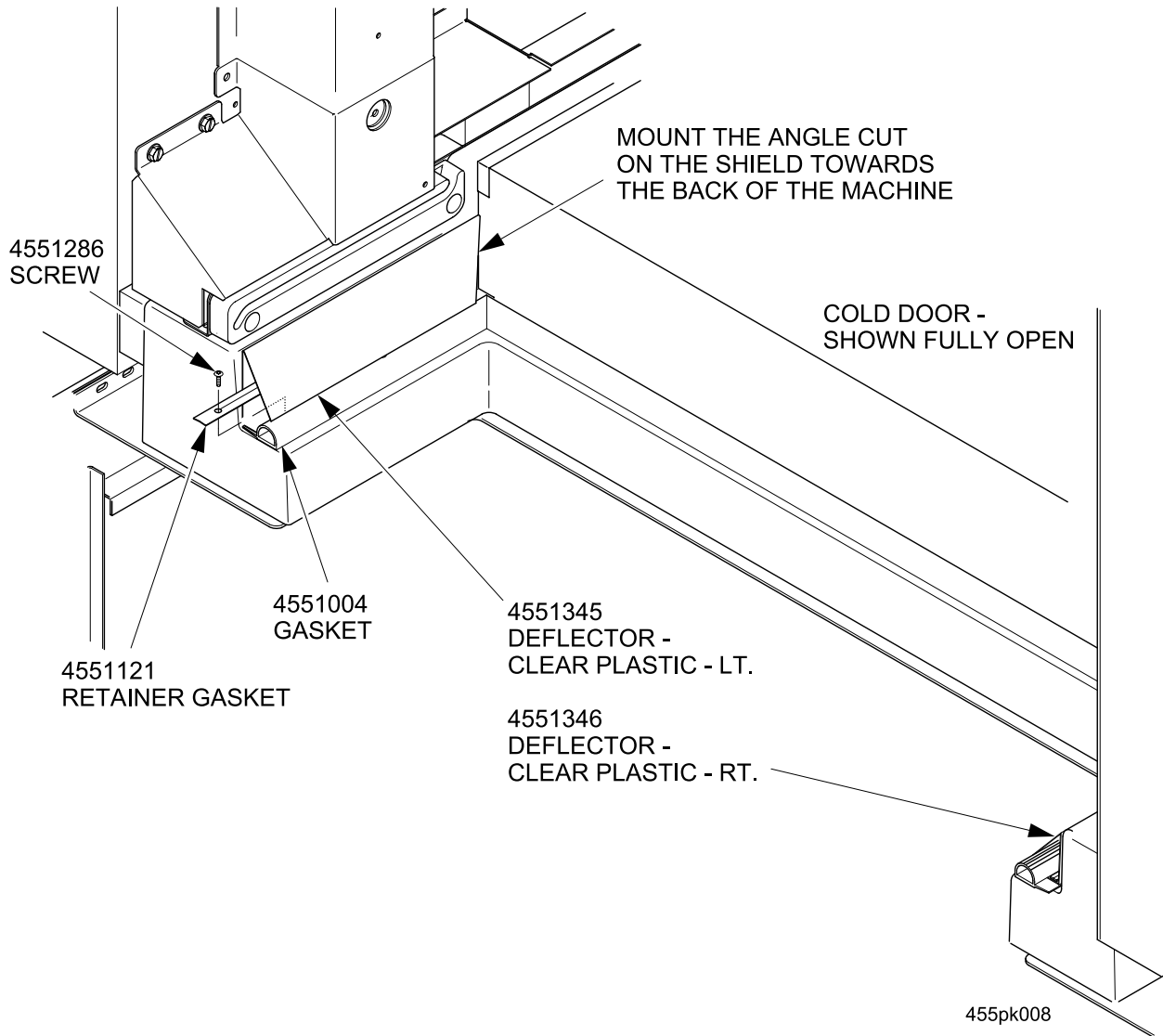
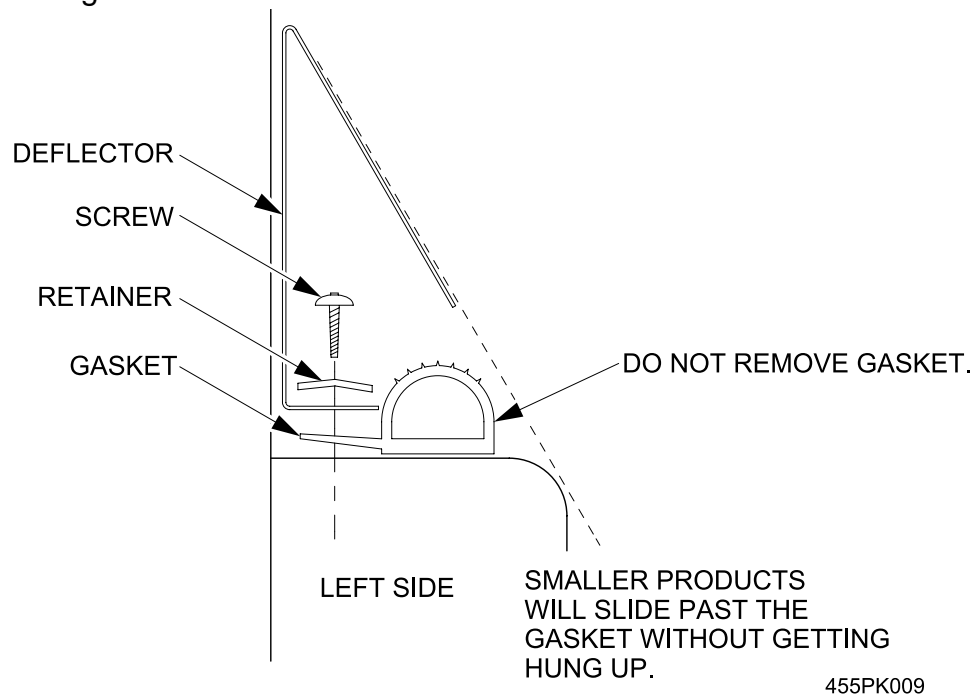






Figure 1

-
8. Replace and tighten the screws. Be careful not to overtighten the screws, as this can damage the gasket.



455PK009

Figure 2

9. Replace the tray and reconnect the harness.
10. Turn on the main switch.
11. Using the programming keypad, perform the following:
- Press  twice.
 - Press  once.
 - Press  until the display reads "FOOD 2".
 - Press . The cold door will move to the open position and the display will read "FOOD 3".
12. Close the cold door and latch.
13. Close and lock the monetary door.